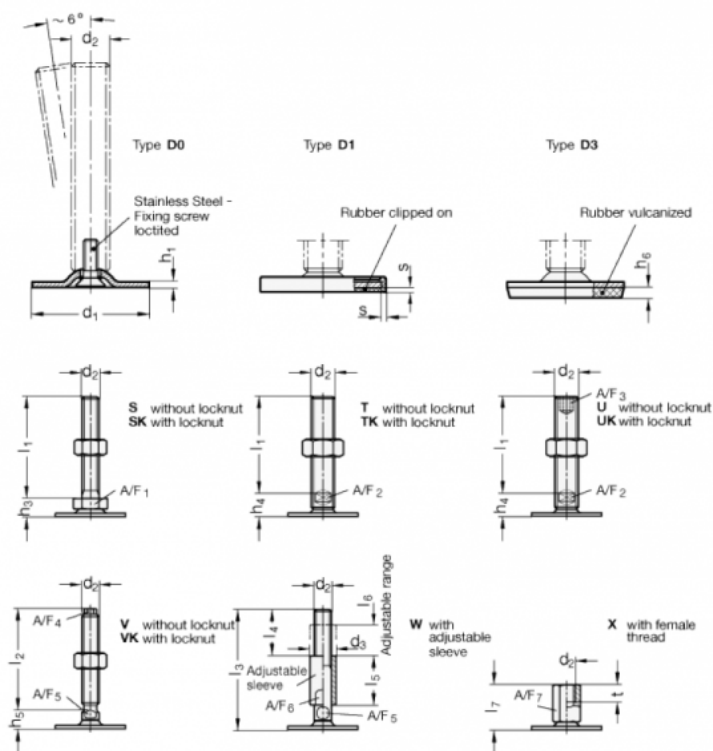


Article number: 204180M1638D1X
 Description: E+G levelling foot
 GN 41-80-M16-38-D1-X
 Note: X With female thread, External hexagon

Measures



A/F7 = 22
 d1 = 80
 d2 = M16
 h1 = 3
 h6 =
 l7 = 38
 s = 2
 t = 16